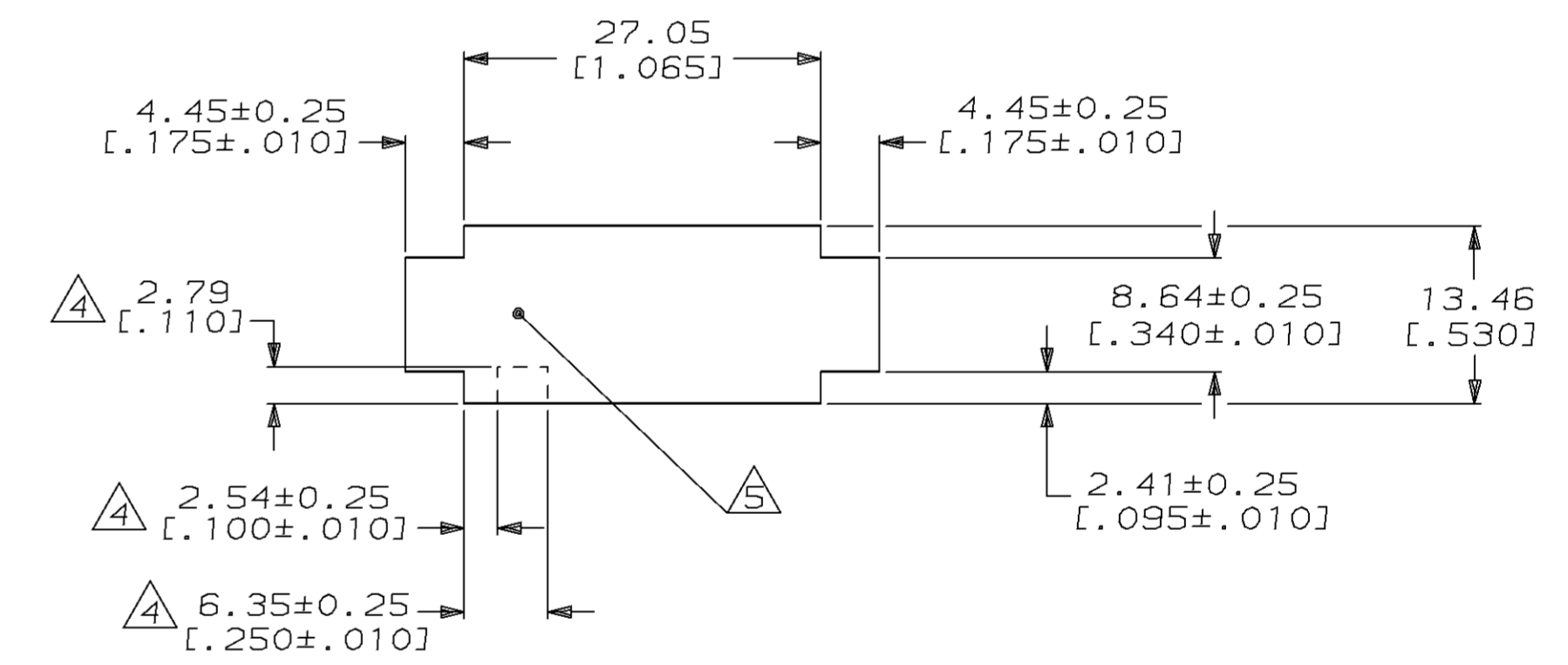
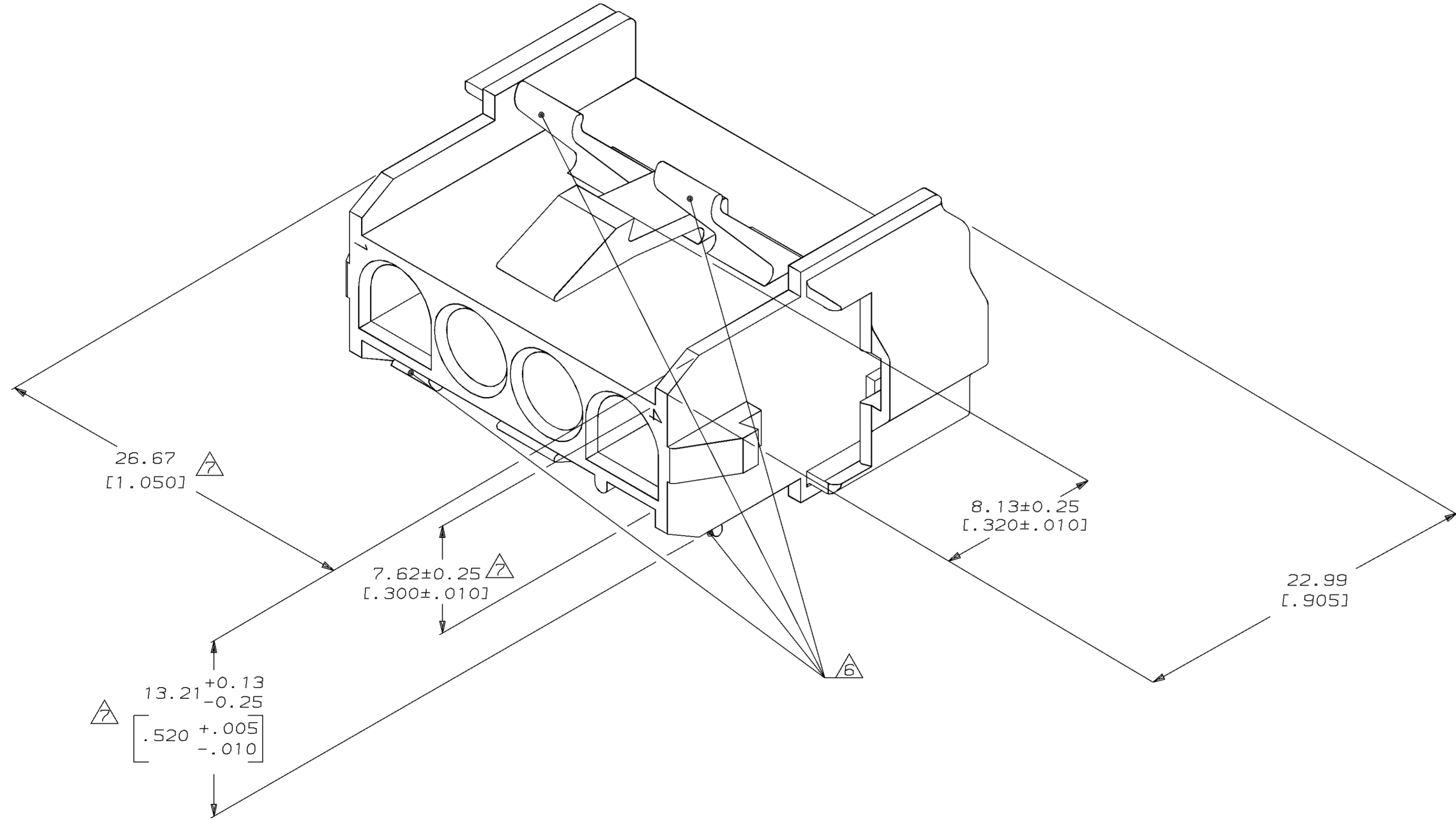


LOC		DIST		P		F		ZONE		LTR		REVISIONS		DATE	APPD	
CM	53												E	REV PER EC 0730-0210-95	2-6-96	RV

1. MUST BE ASSEMBLED WITH CAP REAR P/N 770050-1 BEFORE MATING. KIT P/N IS 770026-1.
2. RECOMMENDED PANEL THICKNESS 0.76-2.29 [.030-.090].
3. PANEL MUST BE PUNCHED SO THAT THE HOUSING ENTERS THE PANEL IN THE SAME DIRECTION AS THE PUNCH.
4. OPTIONAL FOR KEYING HOUSING IN PANEL.
5. CIRCUIT NUMBER 1 LOCATION.
6. AMP LOGO LOCATED ONCE ON ANY INDICATED SURFACE FARSIDE.
7. DIMENSION INDICATED IS AS MOLDED. ADDITIONAL GROWTH DUE TO SUBSEQUENT MOISTURE ABSORPTION MAY OCCUR.



RECOMMENDED PANEL CUTOUT
 (HOUSING ENTRY SIDE)
 SCALE 2:1

770049-1
 PART NUMBER



DO NOT SCALE PRINT. UNLESS SPECIFIED DIMENSIONS IN INCHES TOLERANCES ON:		DR 1-15-92 K. SALMON		PART NO	
1. DIMENSIONS ON		CHK 1-15-92 R. SWING		AMP INCORPORATED Harrisburg, Pa. 17105	
2. PLC DEC ± 0.13 [.005]		APPD 1-16-92 M. TRULL		NAME	
3. ANGLES ±		APPD 1-16-92 M. TRULL		CAP FRONT, 4 CIRCUIT, UNIVERSAL MATE-N-LOK™ II	
MATERIAL		PRODUCT SPEC		SIZE	
NYLON, UL94V-0,				D 00779	
FINISH		APPLICATION SPEC		DRAWING NO	
				770049	
WEIGHT		SCALE		SHEET	
		5:1		1 OF 1	

CUSTOMER DRAWING